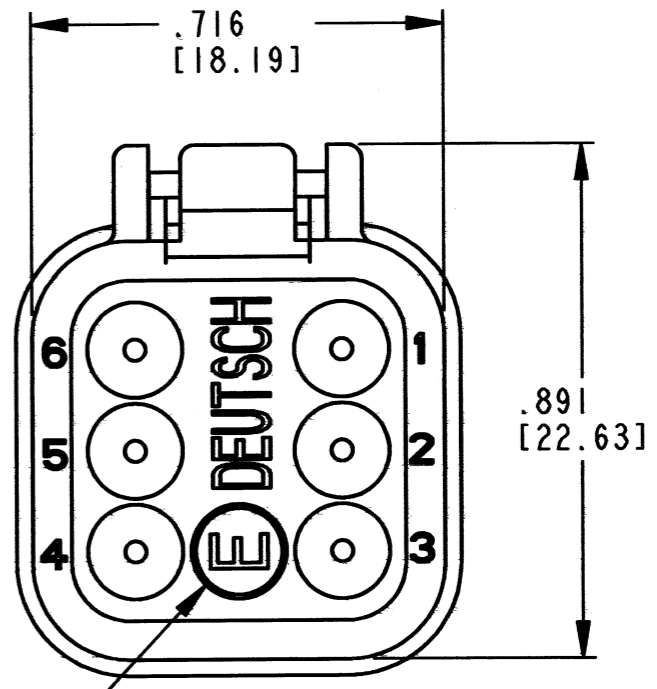
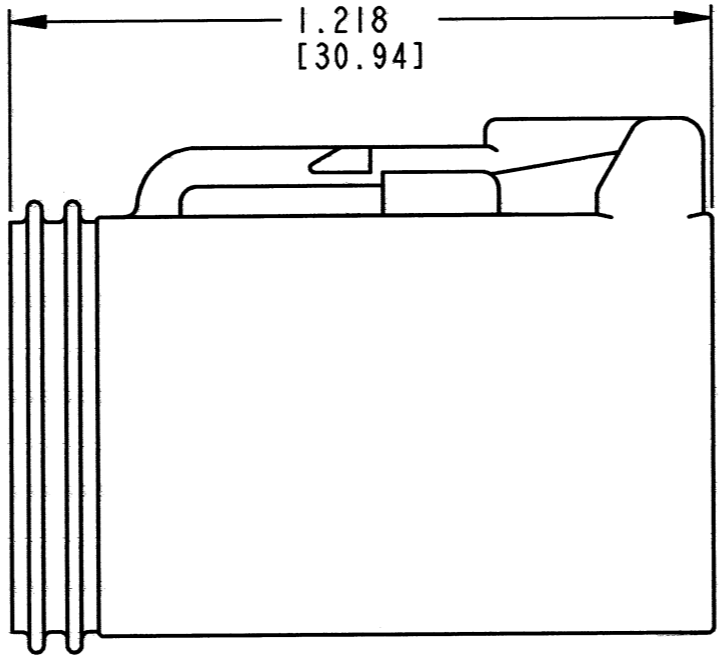
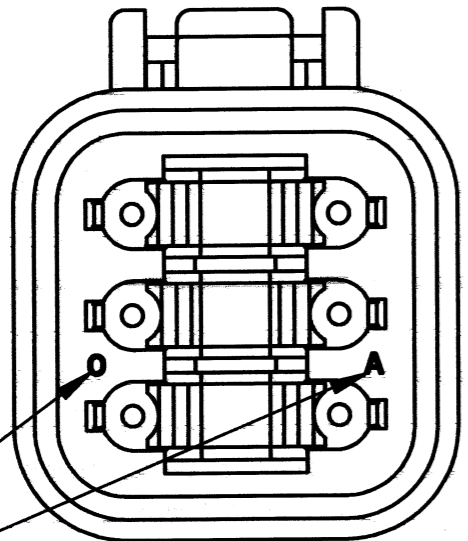


REV  
A DT06-6S-C015

REVISIONS			
SYM	DESCRIPTION	DATE	APPROVED
NC	NEW RELEASE PER E.O. P18121	5/2/03	R.D.R.
A	REVISED PER E.O. P21433	9-12-12	RDR



DATE CODE: YEAR TO BE REPRESENTED BY LAST NUMERICAL DIGIT. EX: 0 = 2010  
MONTH USES SEQUENTIAL ALPHA CHARACTERS. EX: A = JANUARY.

E- SYMBOL DESIGNATES REDUCED WIRE SEAL

- 5. MATERIAL - SHELL: PLASTIC; COLOR: GRAY  
SEAL: RUBBER
- 4. THIS PLUG MATES WITH DT04-6P-\*\*\*\* (\*\*\*\* = ALL MODIFICATION)  
CONSULT FACTORY FOR MODIFICATIONS.

CONTACT SIZE	MIN. INSUL. O.D.	MAX. INSUL. O.D.	WIRE RANGE [mm <sup>2</sup> ] REF ONLY
16	.053 [1.35]	.120 [3.05]	14-20 AWG [2.0-0.5]

3. FOR CONTACTS AND WIRE PERFORMANCE AND APPLICATION CHARACTERISTICS, SEE ENVELOPE DRAWINGS 0425-015-0000 AND 0425-017-0000.

- 2. ALL DIMENSIONS ARE ±.025 [1.64] UNLESS OTHERWISE SPECIFIED.
  - 1. ALL DIMENSIONS ARE IN INCHES [MILLIMETERS].
- NOTES:

SIGNATURE & DATE	
DR	X. SANCHEZ 17APR03
CHK	A. Mc... 9/12/12
PE	R. ... 9/17/12
APPD	D. ... 9/18/12
SCALE	NONE WT

6 WAY PLUG WITH REDUCED WIRE SEAL  
-C015 MOD  
DT SERIES

ENVELOPE

EP	MATL. CODE
3850 INDUSTRIAL AVE. HEMET, CA 92545 <b>DEUTSCH</b> INDUSTRIAL	
<b>B</b>	<b>DT06-6S-C015</b>
DWG SIZE	CODE SHEET   OF
11139	1   OF 1